

Stylotube PN200

Automated dot marker

Markal® Stylotube PN200 is an automated metal-ball tip marker for high volume dot marking applications on assembly lines. Designed for easy installation into an automated process, the pressurized, hands-free marking system allows for full use of the replacement RS.2000 refill cartridges.

PRODUCT FEATURES

- Fully automated marking system allows for continuous paint delivery on horizontal surfaces
- Requires use of compressed air supply 3 to 4 PSI (0.2 to .3 BAR)
- Pneumatic device improves productivity over manual marking products
- Pressurized system ensures full use of replacement paint cartridges
- Refillable holder keep hands and clothing clean
- Includes T-shaped tips for applications that include line marking
- 3 mm and 6 mm steel ball tips for dot marking on rough or smooth surfaces
- Designed for use only with Markal RS.2000 replacement cartridges
- Made in EU

INDUSTRY USES

Quality control

Automotive and other transportation

Industrial manufacturing and assembly

Tire industry

SURFACE USES

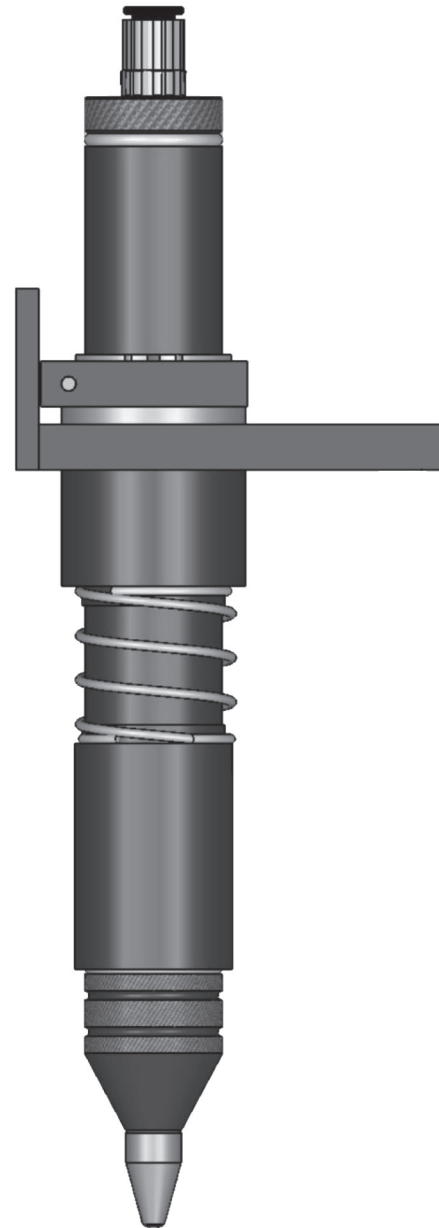
Metal

Plastic

Rubber and tires

Cloth and fabric (textiles)

For industrial use only.



Markal®

LA-CO Industries, Inc. · 1201 Pratt Blvd. · Elk Grove Village, IL, USA. · Tel: +1-847-956-7600 · markal.com
LA-CO Industries Europe SAS · Allée des Combes · Pl de la Plaine de l'Ain · 01150 BLYES, France · Tel: +33 4 74 46 23 23

RIGHT FOR THE JOB.

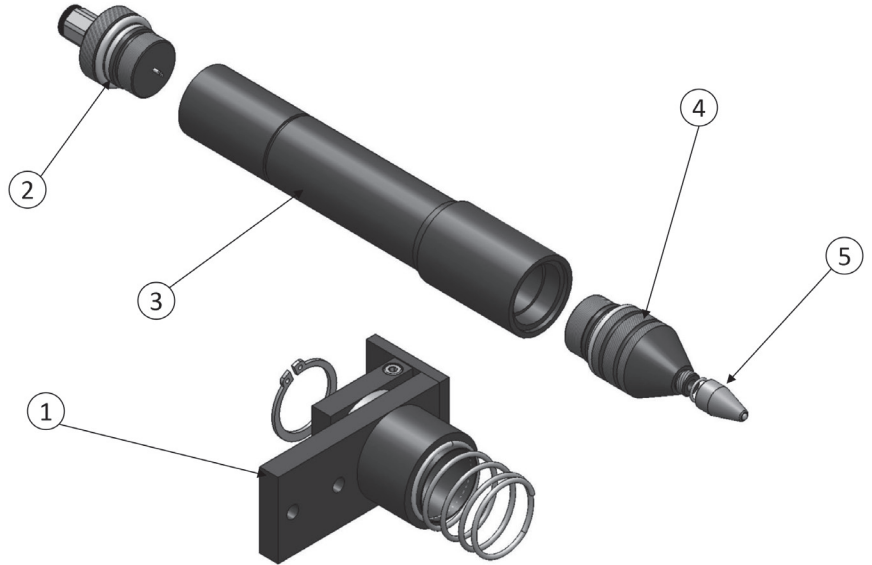
INSTRUCTIONS FOR USE:

- The Stylotube PN200 requires compressed air supply which must be connected through a low pressure regulator (3-4PSI) to pressurize the refill cartridge.
- Unit can be mounted to application fixture by utilizing 2x holes located in the mounting bracket (see diagram).
- Marking occurs when the PN200 comes into contact with the application substrate. Soft contact must be maintained in order to avoid significant shock which could damage the unit.
- The PN200 is optimized to work vertically with the marking tip facing down.

TECHNICAL INFORMATION:

CAD files available upon request

Model	PN200
Item#	96601
Application	Automated Dot Marking
Optimized Marking Direction	↓
Paint Compatibility	Markal® RS.2000
Marking Tip Size	3mm or 6mm
Pressure Required (PSI/BAR)	3.0 to 4.0 PSI 0.2 to 0.3 BAR
Mounting Bracket Hole Dia.	2x .26" - .98" apart
Dimensions	10.64" x 3.66" x 1.57" (marker)
Weight	2.62 lbs
Kit Includes	Marker Refill Holder 1 x 3mm Marking Tip 1 x 6mm Marking Tip 1 x T-tip Marking Tip
Country of Origin	EU



REF #	ITEM #	DESCRIPTION
1	96617	Mounting Bracket - PN200
2	96614	Marker Refill Holder Rear
3	96615	Marker Refill Holder Barrel
4	96616	Marker Refill Holder Front - PN200
	96622	3mm Marking Tip (Box of 5)
5	96624	6mm Marking Tip (Box of 5)
	96625	6mm T-Tip (Box of 5)

This plan is the exclusive property of the company LA-CO INDUSTRIES, INC. It cannot be copied or reproduced without the authorization of LA-CO INDUSTRIES, INC.

RS.2000

Replacement paint cartridge for Stylotube

INSERTING THE PAINT REFILL:

1. Unscrew the refill holder front end.
 2. Screw the refill cartridge into the marking head clockwise.
 3. Screw refill and head assembly into marker holder barrel.
- Note: A puncturing needle is integrated into the refill holder end and will automatically puncture the cartridge upon insertion.



Part No.	Color	Part No.	Color
96603	White	96609	Orange
96604	Yellow	96610	Violet
96605	Red	96611	Gray
96606	Blue	96612	Pink
96607	Green	96613	Brown
96608	Black		

Markal®

RIGHT FOR THE JOB.

LA-CO Industries, Inc. · 1201 Pratt Blvd. · Elk Grove Village, IL, USA. · Tel: +1-847-956-7600 · markal.com
 LA-CO Industries Europe SAS · Allée des Combes · Pl de la Plaine de l'Ain · 01150 BLYES, France · Tel: +33 4 74 46 23 23